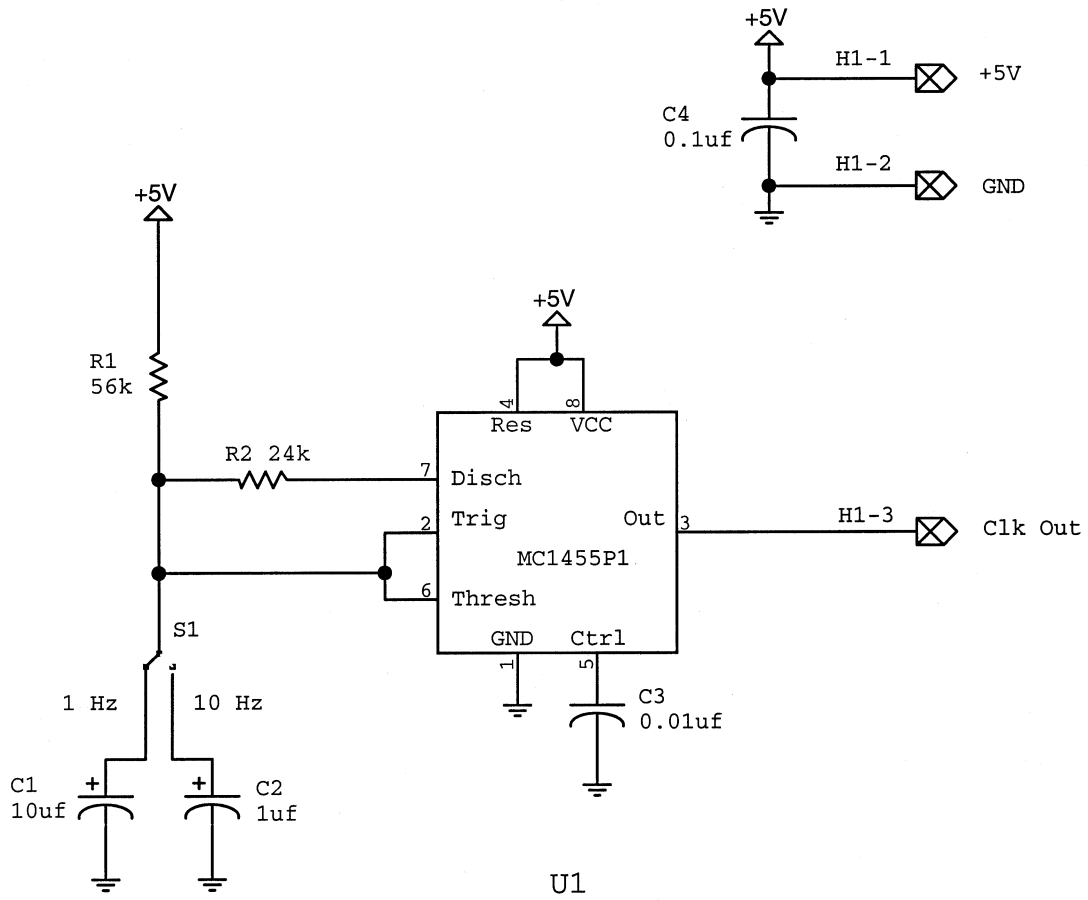


Timer Board



U1